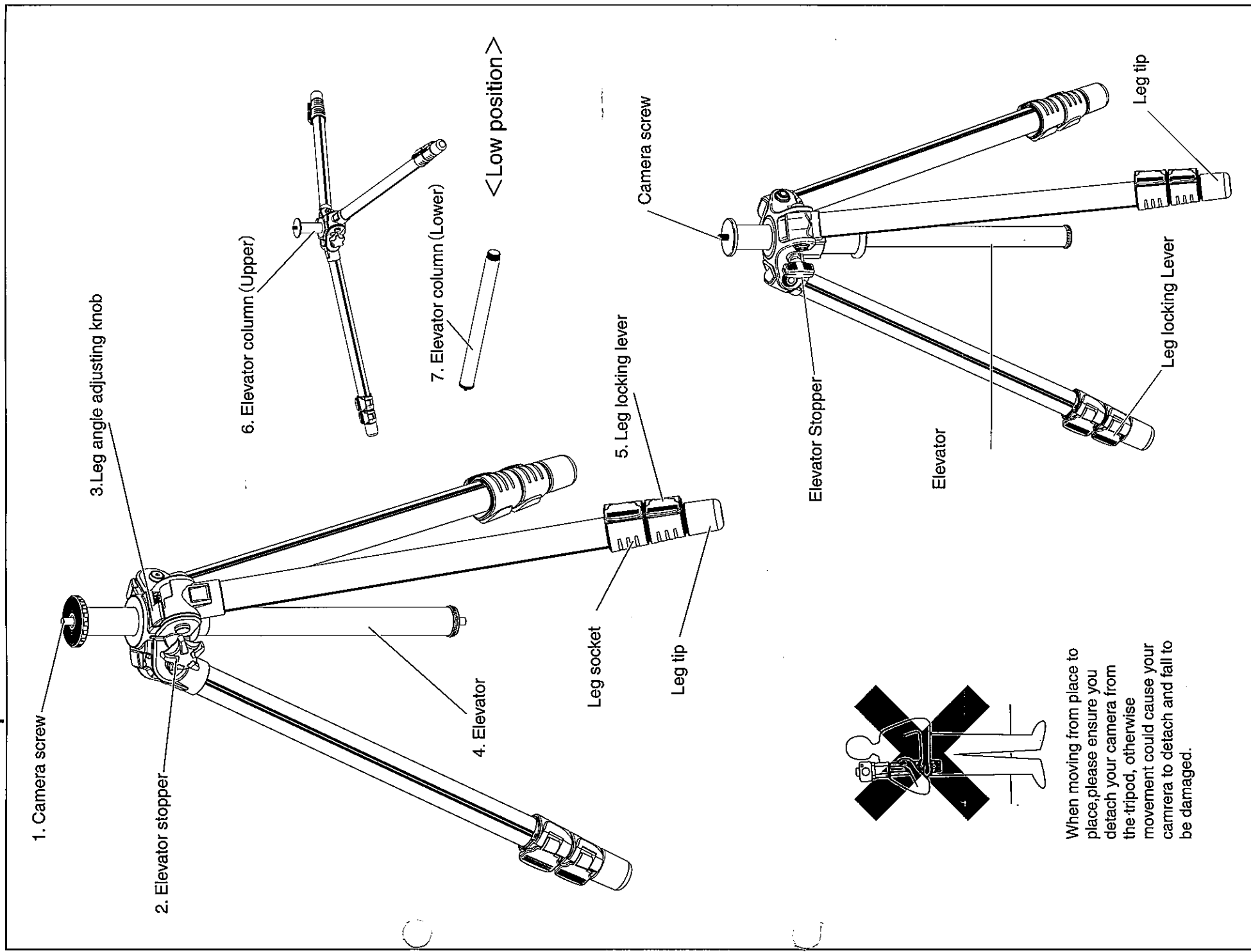
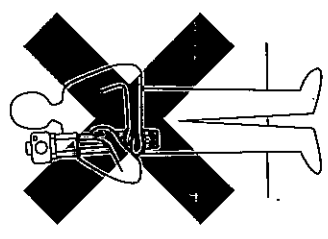


**Identification of main parts**



When moving from place to place, please ensure you detach your camera from the tripod, otherwise movement could cause your camera to detach and fall to be damaged.



**Features and How to use**

Thank you very much for choosing a Velbon tripod. Please read this manual carefully before using your tripod.

1. The head mounting screw at each end of the centre column is 1/4 inch only. If you are using a head which requires a 3/8 inch screw socket, please use an adapter screw to step-up from 1/4 to 3/8". When installing a head, rotate in a clockwise direction until firmly attached.
2. The elevator stopper is for locking the centre column at the desired height. When removing the head from the tripod please lock the elevator stopper firmly.
3. Leg angle adjusting knob enables you to set leg angle positions to standard, semi-low and full Low-angle position by sliding across in 2 steps. After opening legs to full low-angle position, subsequent closing of each leg causes the leg angle adjusting knob to click back to standard position automatically. (This feature does not apply to the Sherpa 200 model).
4. At the bottom end of the centre column there is 1/4 inch screw to attach your tripod head for low level and macro photography. Should you require additional stability, a camera bag can be attached to this column via a threaded hook (available separately).
5. Your tripod features fast and comfortable locking levers. Please lock firmly before attaching your camera to the tripod.
6. The elevator column is detachable for low-level photography. The Sherpa 50, 100, 300 and 400 models all feature a detachable elevator column.
7. After detaching the lower column, the tripod can be used for low level and macro photography.

**Specifications**

	Sherpa 50	Sherpa 100	Sherpa 200	Sherpa 300	Sherpa 400
Panhead	QHD-33M	QHD-43D	PH-157Q	PH-157Q	PHD-65D
Full extension (incl. Elevator)	1630mm (64.17in.)	1615mm (63.58in.)	1675mm (66.94in.)	1700mm (66.93in.)	1615mm (63.58in.)
Elevator movement	290mm (11.42in.)	315mm (12.40in.)	300mm (11.81in.)	347mm (13.66in.)	220mm (8.66in.)
Minimum height	193mm (7.60in.)	315mm (12.40in.)	600mm (23.62in.)	297mm (11.69in.)	220mm (11.10in.)
Closed length	510mm (20.08in.)	605mm (23.82in.)	620mm (24.41in.)	630mm (24.80in.)	670mm (26.38in.)
Diameter of leg pipes	20/17.2/14.4mm (0.79/0.68/0.57in.)	23/20/17.2mm (0.91/0.79/0.68in.)	26/23/20mm (1.02/0.91/0.79in.)	26/23/20mm (1.02/0.91/0.79in.)	29/26/23mm (1.14/1.02/0.91in.)
Sections	3	3	3	3	3
Weight	100g (2.20lbs.)	1400g (3.09lbs.)	1950g (4.30lbs.)	1961g (4.32lbs.)	2270g (5.00lbs.)
Suggested loading weight	1500g (3.31lbs.)	2500g (5.51lbs.)	3000g (6.61lbs.)	3000g (6.61lbs.)	3500g (7.72lbs.)
Quick release plate	QB-42	QB-62	QB-157	QB-157	QB-62

※The manufacturer reserves the right to change specifications, design, and size without prior notice.