

genie
mini



Contents.

1. WHAT'S IN THE BOX
2. MOUNTING THE GENIE MINI
3. LINK CABLE
4. GENIE MINI CONNECT
5. APP CONNECT
6. HOME SCREEN
7. CHARGING
8. TECH SPECS

Please read the instructions carefully before using the Genie Mini. For more detailed setup tutorials including 'how to setup a Timelapse' and 'how to setup a Video' tap the question mark in the bottom right of the App or subscribe to our [Youtube Channel](#)

Go Filming!





What's in the Box

Items that are included in the box when you purchase a Genie Mini

1 Genie Mini 2 Syrp Micro Fiber cloth 3 Micro USB charging cable 4 1/4" to 3/8" Thread adapter

Mounting the Genie Mini

Attach the Genie Mini to a tripod and your camera to the top.

- 1 Attach the Genie Mini to a tripod head or the tripod legs. If using a tripod head then use the thread adapter included to transform the large thread on the Genie Mini into a small thread.
- 2 Screw your camera onto the top of the Genie Mini. We recommend using a Ballhead between the Genie Mini and the camera in order to have greater control of your cameras position.





Link Cable

The Syrp link cable is used to trigger your camera for shooting timelapse. We stock multiple different cables for different cameras. Refer to our [website](#) to find the correct cable for your camera.

- 1 Plug in the 2.5mm end into the camera port on the Genie Mini marked with a Green camera icon.
- 2 Plug the other end into the remote port on your camera. Consult your camera manual to find the correct port.
- 3 Once connected the Genie Mini is ready to trigger your camera for timelapse.



Genie Mini Connect

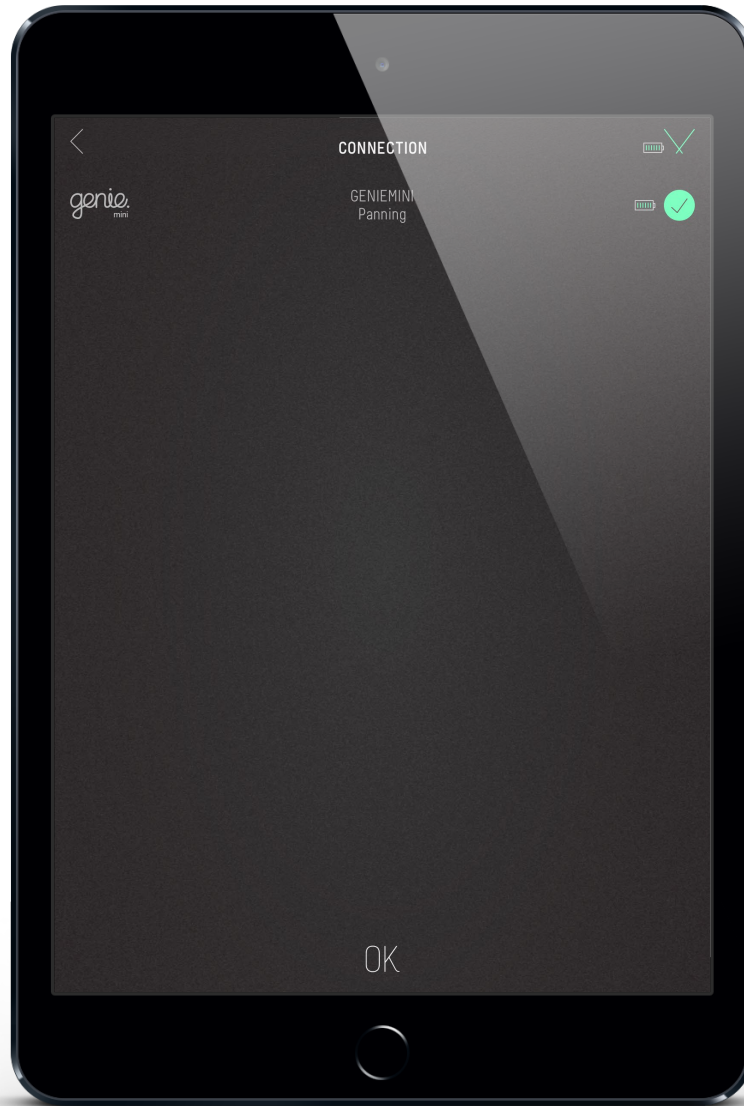
Set your Genie Mini up to pair with the Syrp Genie App.



1 Press the Syrp cross on the front of the Genie Mini.



2 The Bluetooth LED indicator will flash green confirming that the Genie Mini can now be paired with the Syrp Genie App.



App - Connect

Turn ON bluetooth on your phone and connect the Syrp Genie App to the Genie Mini.



1 In the settings menu on your phone, Turn bluetooth ON.



2 On the Syrp Genie App, navigate to the 'Connection' screen by tapping the Syrp Connect icon at the top right of the screen.



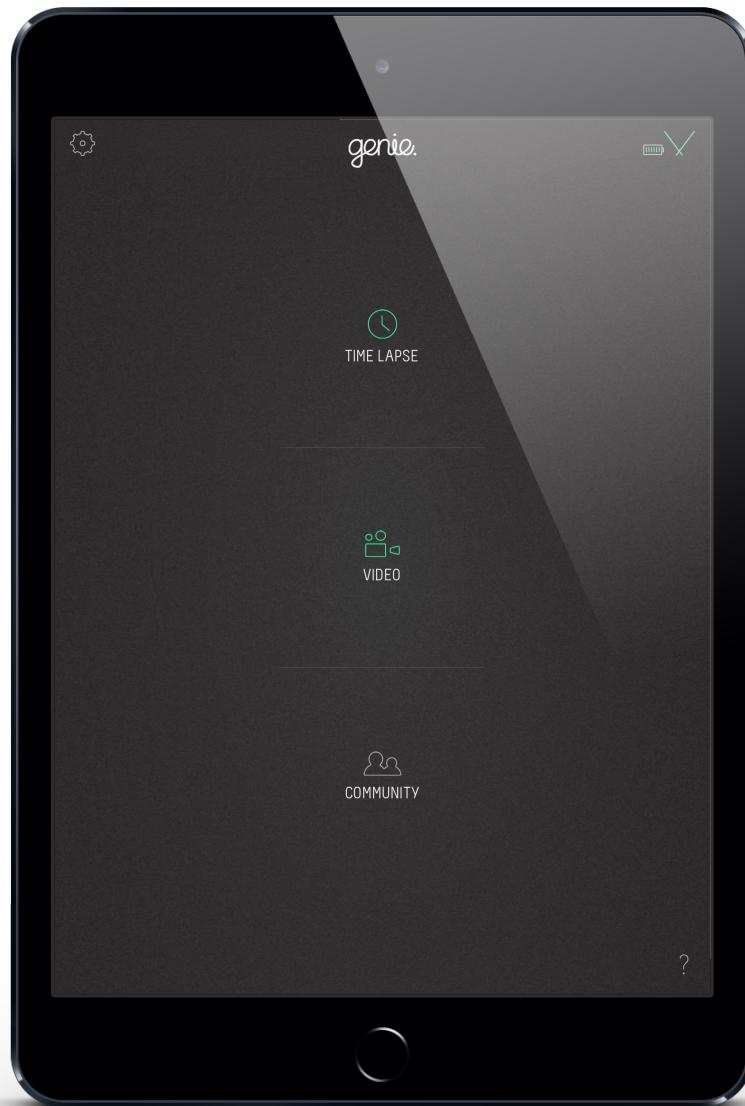
3 Your Genie Mini will appear in the list. select the Genie Mini you want to connect to by tapping on its name or tapping the circle.



4 The App will now connect to your selected Genie Mini. A green tick icon and battery indicator will appear. The Syrp logo will also turn green confirming that a connection has been made.



5 Press "OK" or the back arrow to go to the home screen



Home Screen

Choose your recording type.



1 To start a recording select either Timelapse or Video.



2 Tap the Community button to watch films shot with the Genie Mini and other Syrp products.



3 The Question Mark in the bottom right will take you to a selection of video tutorials about various setups.



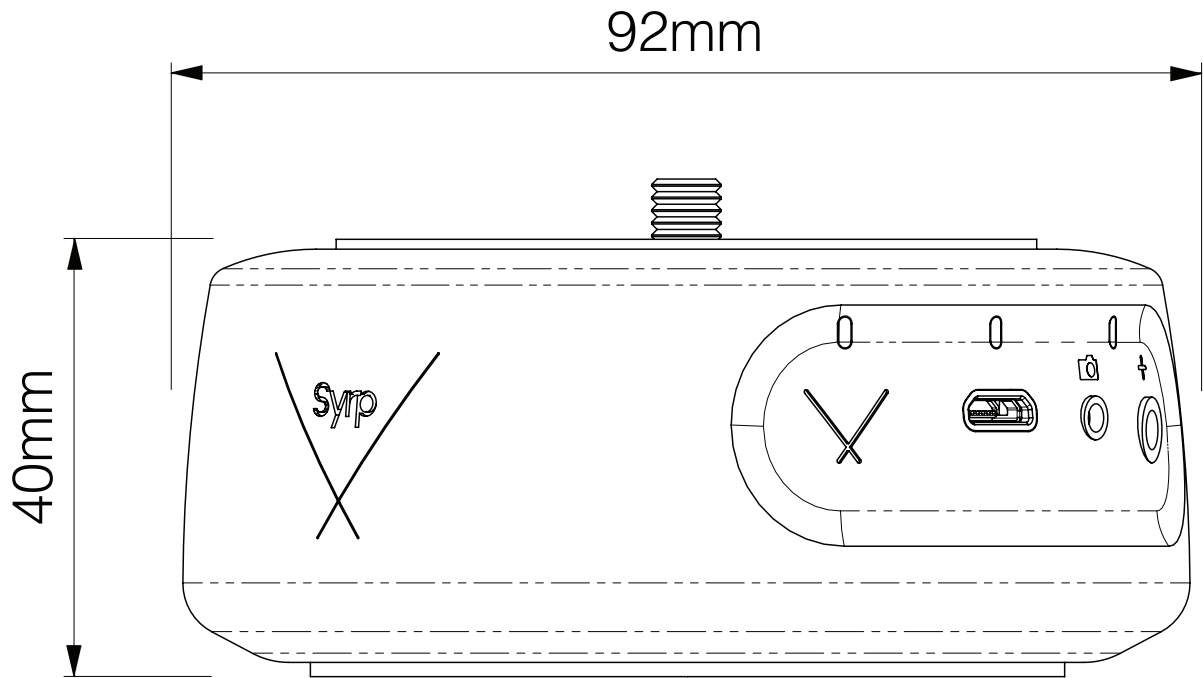
4 Tap the Settings Cog in the top left to adjust settings on the Genie Mini



Charging

Charge the Genie Mini using the USB cable included

- 1 Plug the Micro USB charger into the Genie Minis USB port.
- 2 Plug the other end into a wall charger, laptop or computer to charge the device.
- 3 The charge light above the USB port should turn orange indicating the the Genie Mini is charging.
- 4 Once fully charged the charging light will turn green.



Tech Specs

Technical information.

SPEED LIMITATIONS	1	Max Speed: 360 Degrees in 33 seconds Minimum Resolution: 0.005 Degrees
PAYLOAD / WEIGHT	2	Panning Load: 4kg (8.8 lb) Tilting Load: 3kg centered (6.6 lb) Weight: 230g (8.1 oz)
BATTERY	3	Timelapse: 48+ hours Video: 5+ hours Charge Time: 3 Hours Included Li-Ion Rechargeable battery
COMPATITBILITY	4	Please check the compatibility chart online here for specified camera models
INTERFACE	5	Bluetooth 4.0 Low Energy USB Charging Camera Port: 2.5mm Accessory Port: 3.5mm (Dual Genie + IR Cable)
POWER SUPPLY	6	USB Charging 5V 0.5A DC
MOUNT TYPE	7	1/4-20 On top 3/8-20 On bottom Included 1/4" to 3/8" adapter

Quick Tips

Helpful tips on using your Genie Mini

- Always set your camera and lens to manual focus (MF), if set to Auto Focus (AF) the camera can misfire leading to missed frames.
- Turn image review OFF on your camera. On some cameras image review can cause missed frames in your time-lapse.
- Once you begin a recording you can leave the App and disconnect, your move will continue to run as normal.
- Press the Syrp button once to turn the Genie Mini on/off. Holding the Syrp button down for longer forces a hardware / firmware reset on the Genie Mini.
- To turn the Genie Mini off you must first disconnect in the connection window on the Syrp Genie App before pressing the Syrp button once.
- If you don't have a Genie Mini or you would like to explore the setup process for connecting to multiple Genie products you can use the Product Test Drive, Virtual Setup mode. Enter the Connection screen of the app and select Product test drive Virtual setup. Here you can connect to multiple products and explore how the app works. You can turn OFF Test drive mode in the settings menu of the app.

Firmware Tips

If you are having trouble updating the firmware on your Genie Mini, try these tips:

- The App will automatically alert you if a new firmware update is available and will be installed from within the App. Always make sure you have the latest App installed. If the firmware update fails try some of these tips
- Try to update on a different device, if it works you can go back to using your original device.
- Turn WIFI off on your device.
- Do not connect to other bluetooth devices while updating, it's best to turn off other nearby bluetooth devices completely, or the update may fail.
- Try the update from a different location, in some situations unknown interference can cause a failed update.

Safe Mode

If your Genie Mini has a flashing red light then it means the device is in SAFE mode and there is no firmware currently loaded onto the device. The battery indicator will have a question mark and read as empty. This does not mean there is an issue with the battery. Please follow the steps below to get back up and running.

Forced firmware update iOS

- 1 Plug The Genie Mini in to power.
- 2 Force close the App and reopen on your device.
- 3 Now navigate to the connection screen on the App.
- 4 Hold down the Genie Mini ON button for 10 – 15 seconds. (This resets the hardware in the Genie Mini, a series of lights will flash)
- 5 You will see the Genie Mini appear in the Connection Screen. Tap to CONNECT
- 6 Navigate to the New time lapse screen and select new time lapse. This will prompt a firmware update.

Forced firmware update Android

- 1 Plug The Genie Mini in to power.
- 2 Force close the App and reopen on your device.
- 3 Now navigate to the connection screen on the App.
- 4 Hold down the Genie Mini ON button for 10 – 15 seconds. (This resets the hardware in the Genie Mini, a series of lights will flash)
- 5 You will see the Genie Mini appear in the Connection Screen. Tap to CONNECT.
- 6 Navigate to the SETTINGS menu and tap FIRMWARE RELOAD This will prompt a firmware update.

Contact.



Syrp Limited
43A Linwood Ave, Suite 7
Mt Albert 1025
Auckland
New Zealand
+64 9 845 6319



General enquiries:
syrp@syrp.co.nz

www.syrp.co.nz



twitter.com/syrp_



vimeo.com/syrp



instagram.com/syrp_



gplus.is/syrp



facebook.com/syrp.co.nz



youtube.com/c/syrp